



## ELLISON II

A feeling of **freshness** that lingers. Warm water, gentle cleansing, and quiet performance come together to leave you feeling effortlessly **clean** and completely at **ease**.



### Step Into a More Refined Routine.

The ELLISON II represents the highest expression of **comfort**, **hygiene**, and **thoughtful engineering** within PEARL® Eternal. Every detail is designed to perform seamlessly in the background, creating an elevated experience that feels intuitive, indulgent, and effortlessly refined.



For full details and availability

[www.lifewithpearl.com](http://www.lifewithpearl.com)

# PEARL®



## ELLISON II

*Smart Bidet Toilet*

Where **Everyday Comfort** Meets **Quiet Intelligence**

## Designed for Everyday Comfort



### Architectural Serenity

Low Elegant Seat  
Slim Refined Profile

The ELLISON II is thoughtfully shaped for daily living. Its **slim profile** and **low, elegant** seat height create a light, modern presence that feels **timeless** in any space.

## Refreshing by Innovation, Warm by Nature

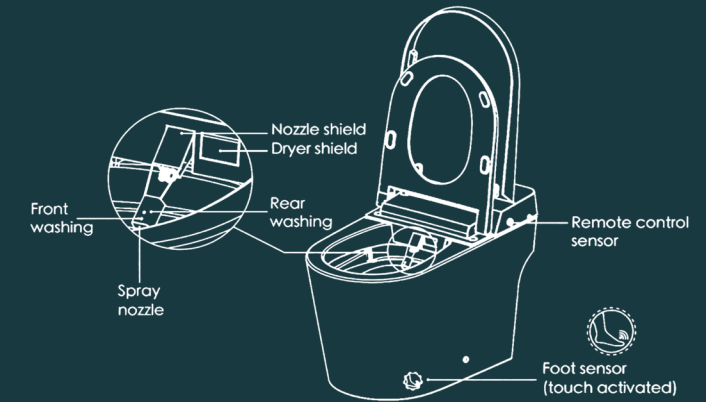


### Inviting Warmth

Ceramic Water Heating  
Temperature Controlled Seating

Turn your bathroom into a **warm retreat** even on the coldest days. This system uses a smart heater to turn cold water into a **cozy**, spa-like splash instantly. You can pick your **favorite level of warmth** from the heated seat, and a gentle air dryer makes sure you finish feeling fresh and dry. With built-in safety to keep things just right, every use is a simple moment of pure **rejuvenation**.

## Intelligence That Works Quietly



### The Purified Experience

Intelligent Self-Cleaning  
Lasting Freshness in Every Flush

A permanent air barrier provides **silent protection**, keeping your water supply flawlessly pure and isolated from the system. This **quiet intelligence** powers a dual-action flush: the first sweep clears the bowl, while the second deep cleans the internal pipes for consistent freshness. It is a thorough, **low noise** process that leaves your sanctuary spotless, ensuring you remain completely at **ease**.



### Effortless Living

Wide and Soft Seating  
Full Hands-Free Experience

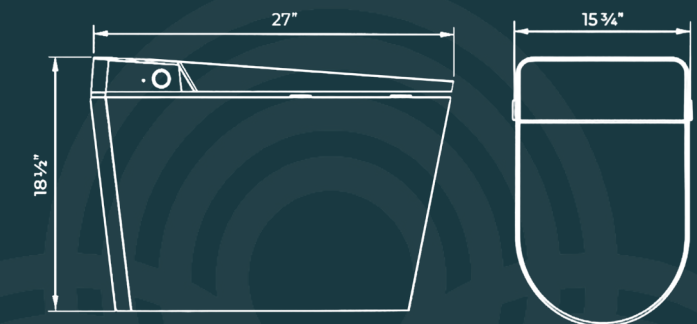
A clean U-shaped silhouette and a wide, soft seat provide **lasting relaxation** ensuring every detail feels intuitive. This luxury is elevated by innovative foot sensing flushing—a hands-free experience for **total ease**. Simply approach the sensor for an **automatic effortless** flush that eliminates bending and enhances hygiene for everyone.



### Targeted Hygiene

Graceful and Thorough Clean  
High-Response Germ Protection

Beyond simple hygiene, the ELLISON II creates a sanctuary of **breathable** calm. Advanced air purification transforms your space into a **fresh** retreat. Paired with the signature wide arc spray for effortless cleaning, every meticulously engineered detail ensures a sophisticated and **worry-free** experience for your home.



### Reliability and Peace of Mind

Flawless Performance  
Quiet Operation

The ELLISON II provides total **reliability**, with low-pressure flushing and water protection **engineered to perform flawlessly** in any home. Its whisper-quiet operation and slow close seat replace disruptions with calm, giving you absolute **control** over your environment. This dependable foundation of safety ensures you live with **peace of mind**.

Every setting adjusts to you...

...creating a tailored experience that feels natural, intuitive...

...and deeply comfortable.