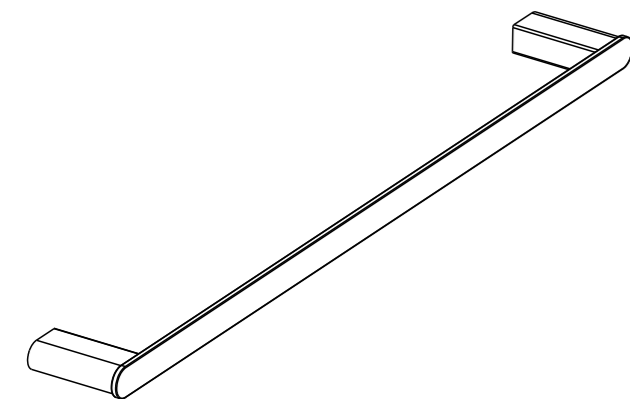




BLAKE

Vanity Accessories

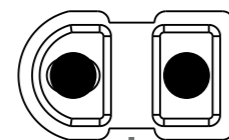
"Towel Bar"



INTRODUCTION

Thank you for purchasing an authentic Pearl Sinks® vanity accessory. The fixture you have purchased is crafted out of the highest quality chrome-plated brass. Each and every fixture is carefully inspected by hand before leaving the production line.

Please read the instructions carefully to prevent any malfunction and damages to your vanity and property.



CONTENTS

This fixture kit contains the following hardware:



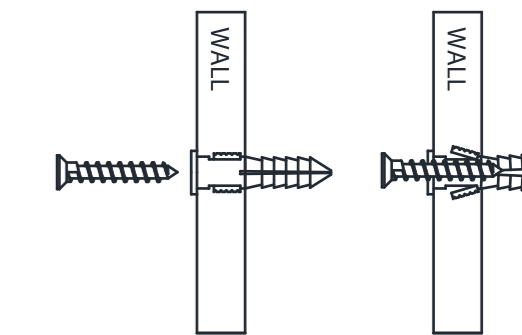
TOOLS

The tools below are required to complete the installation. For additional information, check with your local hardware store on the requirements for your installation.

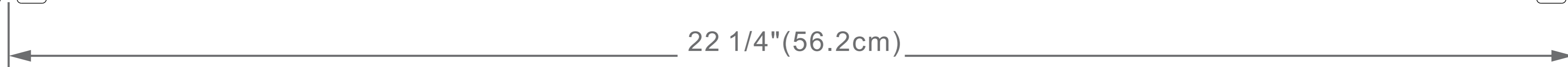
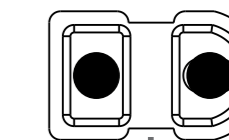


INSTALLATION

- 1 Position this manual where you would like to mount the fixture.
- 2 Level the template, then attach it to the wall with masking tape.
- 3 Drill two 5/16" holes on each corresponding mounting plate location.
- 4 Remove the template from the wall.
- 5 Insert the plastic anchors into the hole until it is flush with the wall.



- 6 Install mounting plates onto the wall using the screws provided.
- 7 Install the fixture and tighten the hex screw.



22 1/4" (56.2cm)

FACE THIS SIDE TOWARDS YOU