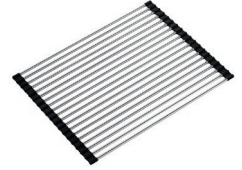




Mixing Bowl



Colander Bowl



Roll Mat

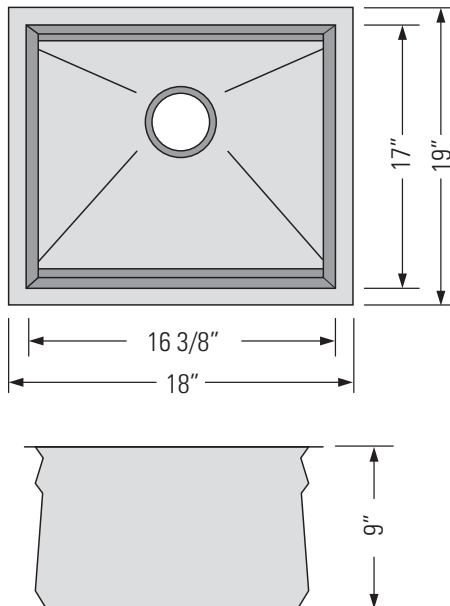
STAINLESS STEEL
GQV1819C

CUVI-CITY

STAINLESS STEEL KITCHEN SYSTEM



Système de cuisine en acier inoxydable



DIMENSIONS

Overall Size: 18" x 19" x 9"
Weight: 18.5lbs
Minimum Cabinet Width: 19 1/2"

Taille globale: 18" x 19" x 9"
Poids: 18.5lbs
Largeur minimale de l'armoire: 19 1/2"

FEATURES

Includes 4 Accessories
16 Gauge T304
Stainless Steel
StoneGuard™ undercoat
Sound and vibration
deadening.
3 1/2" Drain Opening
0° Corner Radius

FINISHES

Satin Finish

INSTALLATION

Requires Flush Cut Countertop
Undercounter Installation
CAD DWG File Available
Stainless Steel Strainer
Included (x1)

ACCESSORIES

Stainless Steel Strainer
Stainless Steel Mixing Bowl
Stainless Steel Colander Bowl
Roll Mat (17" Wide)

STANDARDS

IAPMO (cUPC)
CSA B45.1-18
ASME A112.19.2

CARACTÉRISTIQUES

Comprend 4 accessoires
Acier inoxydable T304 de
calibre 16
Sous-couche StoneGuard™
insonorisante et antivibratoire
Ouverture de drain de 3 1/2"
Rayon d'angle 0°

FINITIONS

Satiné

INSTALLATION

Nécessite un plan de travail à ras
Installation sous le comptoir
Fichier CAD DWG disponible
Filtre en acier inoxydable inclus
(x1)

INSTALLATION

Crépine en acier inoxydable
Bol mélangeur en acier inoxydable
Bol passoire en acier inoxydable
Tapis en rouleau (17" de large)

NORMES

IAPMO (cUPC)
CSA B45.1-18
ASME A112.19.2