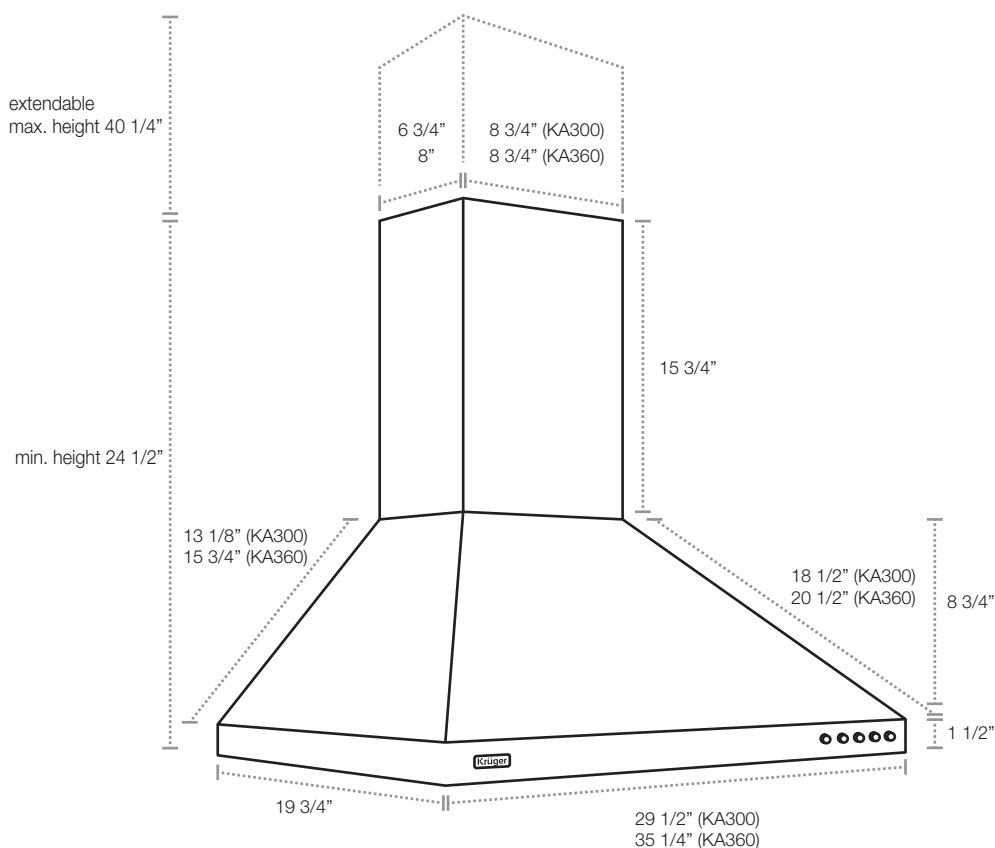




# ALTO·A



**Product #** KA300 & KA360

**Type** Chimney

**Structure** Stainless Steel

**Sizes** 30" & 36"

**Certifications** 

**Dimensions** **KA300**  
29-1/2" (Width)  
19-3/4" (Depth)  
24 1/2" ~ 40 1/4" (Height)

**KA360**  
35-1/4" (Width)  
19-3/4" (Depth)  
24 1/2" ~ 40 1/4" (Height)

**Weight** **KA300**  
32 lbs

**KA360**  
33 lbs

**Vent Options** 6" Round

**Specifications** 500 CFM  
on MAX settings 110-120V/60Hz  
4.8 Sones

**Features** 3 Speed Settings  
Telescopic Chimney  
Chrome-plated Buttons  
Two 2.5W 260L LED Lights  
Aluminum Mesh Filters